

14. OP-04 RS-232C & RELAY OUTPUT

RS-232C interface and relay output for comparator results are obtained by installing OP-04.

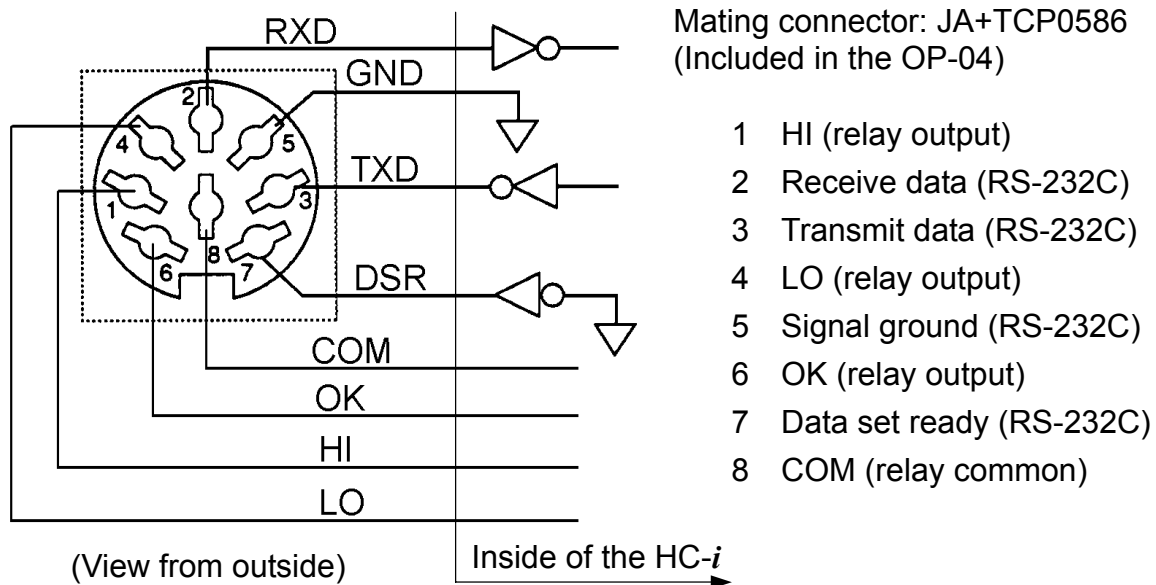
- ❑ The OP-04 unit includes an interface board, a connector plug (DIN type) and two screws. (M3x6 tapping type).

OP-04 Installation

- ❑ See “13-1. Installation”.
- ❑ OP-04 is installed to the same slot with the OP-03.
- ❑ The RS-232C specifications are same as the OP-03 RS-232C interface and refer to “13. OP-03 RS-232C SERIAL INTERFACE”.

Comparator Relay Output Circuit

Pin connections



- ❑ The HC-*i* is designated as DCE (Data Communication Equipment).

Maximum rating of the Relay Output

The maximum rating of the relay output is as follows.

- ❑ Maximum voltage: 50V DC
- ❑ Maximum current: 100mA DC
- ❑ Maximum ON resistance 30Ω